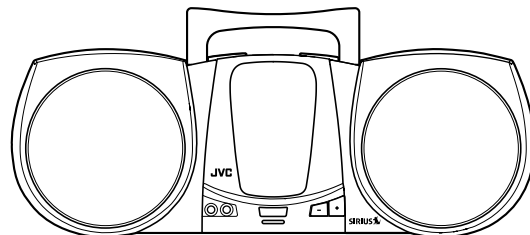


JVC

BOOM BOX

KS-SB200

SIRIUS
SATELLITE RADIO



INSTRUCTIONS

For Customer Use:

Enter below the Model No. and Serial No. which are located either on the rear, bottom or side of the cabinet. Retain this information for future reference.



Model No. _____

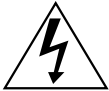
Serial No. _____

LVT1307-001B

[J]

Warnings, Cautions and Others

	CAUTION RISK OF ELECTRIC SHOCK DO NOT OPEN	
CAUTION: TO REDUCE THE RISK OF ELECTRIC SHOCK, DO NOT REMOVE COVER (OR BACK). NO USER SERVICEABLE PARTS INSIDE. REFER SERVICING TO QUALIFIED SERVICE PERSONNEL.		



The lightning flash with arrowhead symbol, within an equilateral triangle is intended to alert the user to the presence of uninsulated "dangerous voltage" within the product's enclosure that may be of sufficient magnitude to constitute a risk of electric shock to persons.



The exclamation point within an equilateral triangle is intended to alert the user to the presence of important operating and maintenance (servicing) instructions in the literature accompanying the appliance.

WARNING: TO REDUCE THE RISK OF FIRE OR ELECTRIC SHOCK, DO NOT EXPOSE THIS APPLIANCE TO RAIN OR MOISTURE.

This equipment has been tested and found to comply with the limits for a Class B digital device, pursuant to part 15 of the FCC Rules. These limits are designed to provide reasonable protection against harmful interference in a residential installation.

This equipment generates, uses and can radiate radio frequency energy and, if not installed and used in accordance with the instructions, may cause harmful interference to radio communications. However, there is no guarantee that interference will not occur in a particular installation. If this equipment does cause harmful interference to radio or television reception, which can be determined by turning the equipment off and on, the user is encouraged to try to correct the interference by one or more of the following measures:

Reorient or relocate the receiving antenna.

Increase the separation between the equipment and receiver.

Connect the equipment into an outlet on a circuit different from that to which the receiver is connected.

Consult the dealer or an experienced radio/TV technician for help.

CAUTION—POWER button!

Disconnect the mains plug and remove all the batteries to shut the power off completely (all lamps and indications go off). The POWER button in any position does not disconnect the mains line.

- When the unit is turned off, the power-on lamp goes off.
- When the unit is turned on, the power-on lamp lights green.
- For battery use:
When the batteries are almost exhausted, the power-on lamp lights red (see page 8).

CAUTION

To reduce the risk of electrical shocks, fire, etc.:

1. Do not remove screws, covers or cabinet.
2. Do not expose this appliance to rain or moisture.

CAUTION

- Do not block the ventilation openings or holes.
(If the ventilation openings or holes are blocked by a newspaper or cloth, etc., the heat may not be able to get out.)
- Do not place any naked flame sources, such as lighted candles, on the apparatus.
- When discarding batteries, environmental problems must be considered and local rules or laws governing the disposal of these batteries must be followed strictly.
- Do not expose this apparatus to rain, moisture, dripping or splashing and that no objects filled with liquids, such as vases, shall be placed on the apparatus.

We would like to thank you for purchasing Boom Box.

This product is designed to enjoy JVC PnP easily either inside or outside of your house.

Before operating this unit, read this manual carefully and thoroughly to obtain the best possible performance from your unit, and retain this manual for future reference.

IMPORTANT CAUTIONS

Where to place the unit

- Select a place which is level, dry and neither too hot nor too cold (between 5°C and 35°C or 41°F and 95°F).
- Leave sufficient distance between the unit and a TV.
- Do not use the unit in a place subject to vibrations.

Power cord

- Do not handle the power cord with wet hands!
- Some power is always consumed as long as the power cord is connected to the wall outlet.
- When unplugging the unit from the wall outlet, always pull the plug, not the power cord.

When carrying the unit

- Disconnect all the cords from the unit.

Malfunctions, etc.

- There are no user serviceable parts inside. In case of system failure, unplug the AC power cord, remove all the batteries, and consult your dealer.
- Do not insert any metallic object into the unit.
- The unit is not waterproof or dust proof.

Table of contents

Preparations	5
Operations	8
Troubleshooting	10
Specifications	11

Supplied Accessories

- AC power cord
- AC adaptor
- Antenna

If any of these items are missing, contact your dealer immediately.



CAUTION:

Only use the power cord and AC adaptor provided for this unit to avoid malfunction or damage to the unit.

Preparations

Do not connect the AC power cord until all other connections have been made.

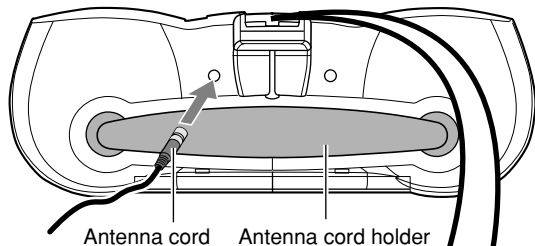
Connecting the Antenna

Connect the supplied antenna by referring to the illustration.

- Refer also to the manual supplied to the JVC PnP (KT-SR2000) for details.

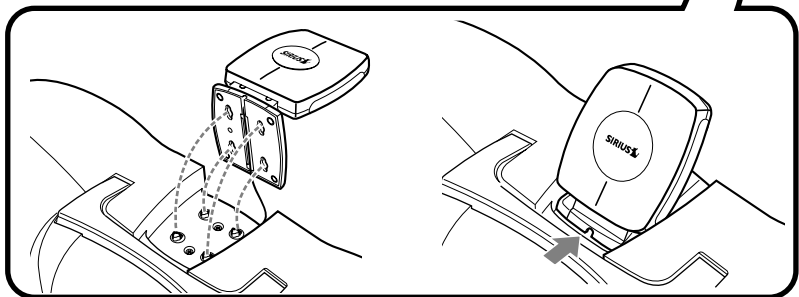
For indoor use, place the antenna closer to the window.

For outdoor use, place the antenna at a location from obstructions.



To store the antenna, attach the four holes on the bottom of the antenna into the four projections on top of the unit. Then, slide backward to engage it fully.

- You can wind the antenna cord around the antenna cord holder on the rear of the unit.



Preparations

Do not connect the AC power cord until all other connections have been made.

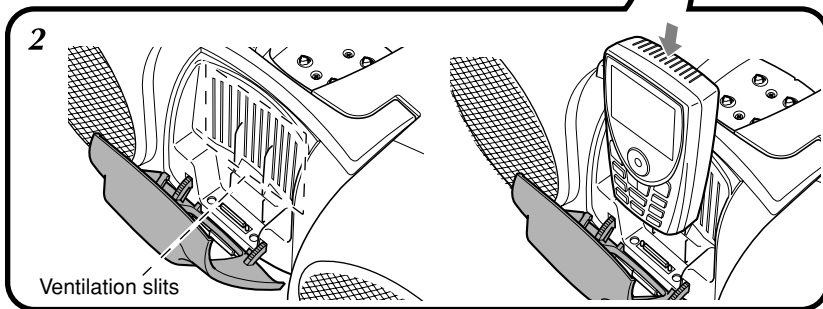
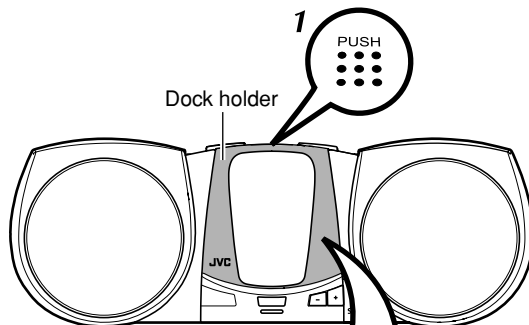
Mounting JVC PnP

IMPORTANT: Make sure to turn the power off of both the unit and JVC PnP when attaching/removing JVC PnP.


- 1** Press PUSH on the top of the unit to open the dock holder.
- 2** Attach JVC PnP by sliding it down to the dock.
 - Press in JVC PnP firmly to the dock.
- 3** Close the dock holder.

Note: The internal cooling fan ventilates automatically. Do not close the ventilation slits or the proper ventilation is obstructed.

To remove JVC PnP, press PUSH on the top of the unit, then pull out JVC PnP by holding the sides of JVC PnP.



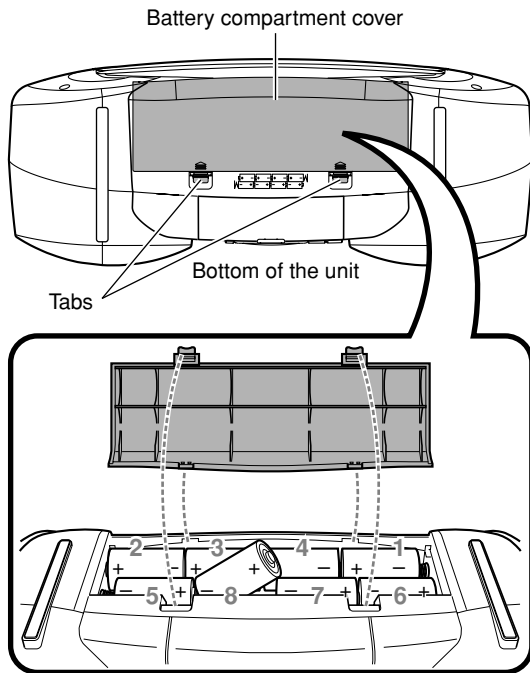
Putting the Batteries into the Unit

- 1 Push and pull up tabs to open the battery compartment cover on the bottom of the unit to the direction of .
 - 2 Insert 8 batteries by matching the polarity as marked on the compartment.
 - Insert batteries in order of number as shown in the illustration.
 - 3 Close the battery compartment cover.
- When the power is supplied from AC power with AC adaptor connected to the unit, the batteries are not consumed.

CAUTION:

To avoid battery leakage or explosion:

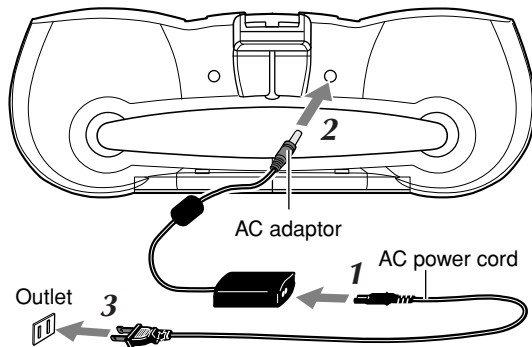
- Remove the batteries when the unit is not in use for an extended period of time.
- When you need to replace the batteries, replace all 8 batteries at the same time.
- Do not use different types of batteries together.



Preparations Do not connect the AC power cord until all other connections have been made.

Connecting the AC power cord

Connect the unit to the outlet as described in the illustration below.



⚠ CAUTIONS:

- Only use the power cord and AC adaptor provided for this unit to avoid malfunction or damage to the unit.
- Be sure to unplug the power cord from the outlet when going out or when the unit is not in use for an extended period of time.

Operations

Turning on the Power

- 1 Press **POWER** on the unit.
- 2 Turn on **JVC PnP**.
 - The sound does not come out when JVC PnP is turned off.

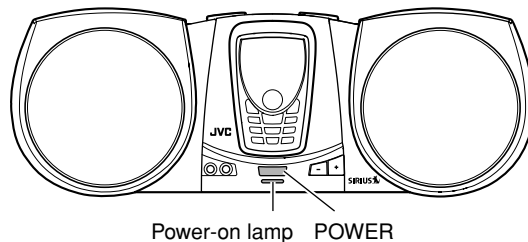
The power-on lamp lights green.

- When the power-on lamp lights red, the batteries are almost exhausted. This condition may cause degraded performance. Replace the batteries.

To turn off the power, press **POWER** on the unit.

The power-on lamp goes off.

- JVC PnP also turns off.



Adjusting the Volume

Press **VOLUME +** to increase the volume or press **VOLUME -** to decrease it.

- When you press and hold **VOLUME +** or **-**, the volume changes rapidly.

Even if you turn down the volume to the minimum level, the volume cannot be turned off completely.

For private listening:

Connect a pair of headphones to the PHONES jack on the unit.

No sound comes out of the speakers.

- Be sure to turn down the volume before connecting or putting on headphones.



CAUTION:

DO NOT start playing any source without first setting the volume to minimum, as a sudden blast of sound can damage your hearing, speakers and/or headphones.



PHONES jack
(3.5 mm stereo mini jack)

VOLUME + and -

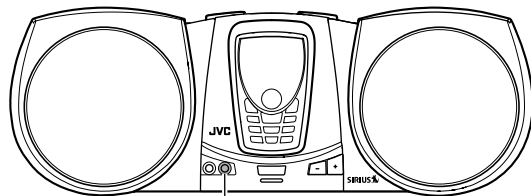
Listening to auxiliary equipment

Connect auxiliary equipment to AUX jack on the unit.

- The unit changes the listening source to auxiliary equipment automatically.

Note: Turn JVC PnP's power off while listening to the auxiliary equipment to save the battery power.

To listen to JVC PnP, unplug the cord from the AUX jack.



AUX jack
(3.5 mm stereo mini jack)

Troubleshooting

If you are having a problem with your unit, check this list for a possible solution before calling for service.

If you cannot solve the problem, or the unit has been physically damaged, call a qualified person, such as your dealer for service.

Symptom	Possible Cause	Action
The unit does not turn on.	<ul style="list-style-type: none">• JVC PnP is not turned on.• Batteries are not installed or not installed properly.• AC adaptor and/or AC power cord is not connected properly.	<ul style="list-style-type: none">• Turn on JVC PnP.• Install batteries by matching the polarity.• Check the connection of both AC adaptor and AC power cord to the unit.
The unit does not operate using batteries.	Battery operation is not active if the AC adaptor is connected to the unit.	Disconnect the AC adaptor from the unit.
Operation stops intermittently.	The batteries are exhausted.	Replace the batteries.
“Antenna Not Detected” appears on the tuner’s display.	<ul style="list-style-type: none">• Antenna is not connected to the unit.• JVC PnP is not attached correctly to the dock.	<ul style="list-style-type: none">• Connect the antenna.• Make sure JVC PnP is attached correctly to the dock.
“Acquiring Signal” appears on the tuner’s display.	There are obstacles over or around the antenna.	Change the position and direction of the antenna.
No sound is heard.	Headphones are connected to the unit.	Disconnect headphones.

Specifications

Amplifier

Output Power:

**4 W per channel, min. RMS, driven into 8 Ω at 1 kHz
with no more than 10% total harmonic distortion.**

Input Impedance (AUX): 8 k Ω

Input Level (Satellite Radio/AUX):

2.0 V (Maximum)

Output Impedance (PHONES):

32 Ω

Output Level (Variable) (PHONES):

20 mV (Maximum)

Connector Type (PHONES, AUX):

3.5 mm Stereo Jack

Signal-to-noise ratio:

86 dB (Maximum)

Speakers

Speaker Type:

Bass-reflex type 12.6 cm
(5 inches)

Tweeter 28 mm (1 - 1/8 inches)

Speaker Impedance:

8 Ω

Frequency Response:

100 Hz to 20 kHz

General

Power Requirements:

DC 12V

(“R20/D (13F)” batteries (8))

External DC 12V

(TESA2-1202500 AC adaptor)

Dimensions:

497 mm x 183 mm x 196 mm

(W x D x H)

(19 - 5/8 inches x 7 - 1/4 inches x

7 - 3/4 inches)

Mass:

3.3 kg (7.3 lbs) (without batteries)

4.1 kg (9.1 lbs) (with batteries)

Design and specifications are subject to change without notice.

Having TROUBLE with operation?
USA ONLY
Call 1-800-252-5722
<http://www.jvc.com>
We can help you!

JVC



© 2004 Victor Company of Japan, Limited

© 2004 SIRIUS Satellite Radio Inc. "SIRIUS" and the SIRIUS dog logo are registered trademarks of SIRIUS Satellite Radio Inc.

1004MNMMDWZAC